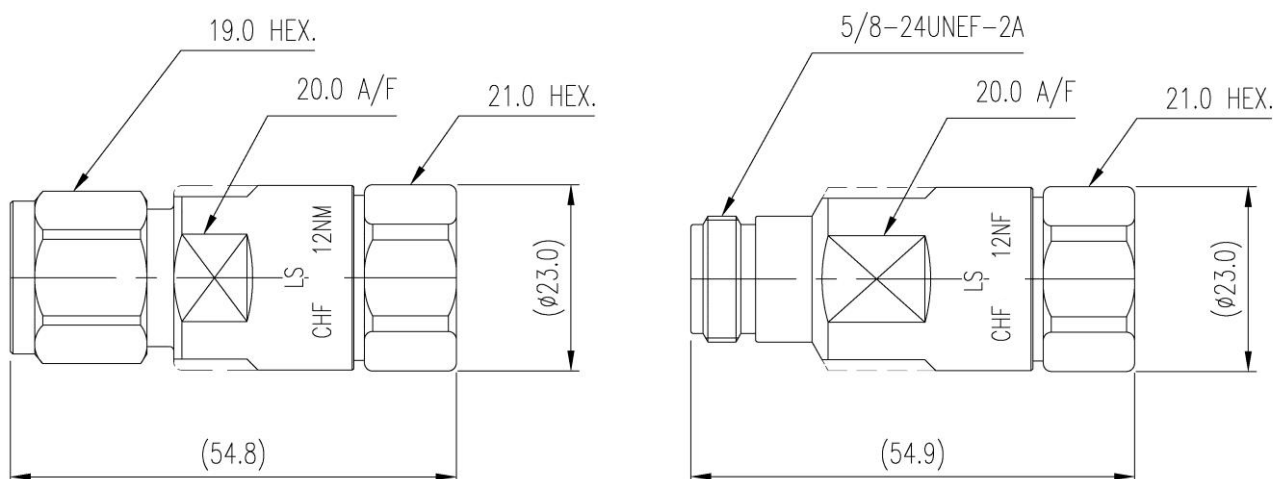


# HFC-FR 12D Feeder Cable



Model : CHF 12NM / CHF 12NF (N-TYPE)

## Features



## Specification

Item	Model. CHF 12NM / CHF 12NF
Transmission Line Type	Coaxial Cable
Cable Size	1/2"
Cable Type	HFC-FR 12D
Mating Interface	N-Type
Gender	Male and Female
Material / Plating Outer Conductor / Coupling Nut	Brass / Three Material Alloy (Cu-Zn-Sn) / Ni
Material / Plating Center Conductor	Brass (Male), Beryllium Copper (Female) / Silver
Material / Insulator	PTFE
Material / Gasket	Silicon Rubber
Frequency	DC ~ 3,600 MHz
Return loss (VSWR)	≥28 (VSWR =1.08) @2.7GHz ≥23 (VSWR =1.15) @3.6GHz
Impedance (Ohm)	50±2Ω
Insertion Loss(dB)	-0.05x√f (f=GHz)
IMD(20W X 2-tone)	≤-155 dBc
Insulation Resistance (MOhm)	≥5,000
Contact Resistance (MOhm)	Inner Contact ≤1.0mΩ (Max.) Outer Contact ≤1.0mΩ (Max.)
Coupling Nut Torque	1.61 ~ 1.77 Nm
Weight (Male / Female)	76g / 78g
Temperature Range	-40 ~ + 85 °C
Waterproof	IP68